



FUEL TANKS

UNDERGROUND SINGLE WALLED FUEL TANKS

Available in 2.950 and 4.950 liter

ABOVE GROUND DOUBLE WALLED FUEL TANKS

For heating – indoor and outdoor

ABOVEGROUND SINGLE WALLED FUEL TANKS

For heating – indoor

ABOVEGROUND DOUBLE WALLED FUEL TANKS

For filling vehicles

ABOVEGROUND DOUBLE WALLED STORAGE TANKS

For storage of oil

ABOVEGROUND DOUBLE WALLEDE Ad Blue TANKS

For storage of Ad Blue

ABOVEGROUND SINGLE WAALED MOBILE TANK

Mobile tank



According to EN 13341



Table of contents

You want cheap and safe heat in your house ? Or do you own a tank to fill your vehicle?	3
Advantages	3
Underground single walled fuel tanks	4
Characteristics	4
Options	5
Replacement parts	5
Aboveground double walled fuel tanks for heating, indoor and outdoor	6
Characteristics	6
Round models	7
Rectangular models	9
Replacement parts	10
Aboveground double walled fuel tanks for distribution indoor and outdoor	11
Characteristics	11
Round models	12
Rectangular models	14
Options	15
Replacement parts	15
Aboveground double walled storage tanks for oil, indoor and outdoor	16
Characteristics	16
Replacement parts	17
Aboveground double walled Ad Blue tanks	18
Characteristics	18
Replacement parts	19
Options	19
Aboveground single walled mobile tank	20
Characteristics	20
Replacement parts	21
Options	21
Installation procedures for underground single walled fuel tanks	21
Installation procedures for aboveground double walled fuel tanks for heating indoor and outdoor	22
Installation procedures for aboveground double walled fuel tanks for distribution	23
Installation procedures for aboveground double walled storage tanks for oil	24
Installation procedures for aboveground double walled storage tanks for Ad Blue	26
Installation procedures for aboveground single walled mobile tank	26
Warranty	27
Other documents	27

You want cheap and safe heat in your house ? Or do you own a tank to fill your vehicle?

Choose a fuel tank of Boralit.

Why choose Boralit ?

Boralit is the first and only manufacturer that offers the prestigious BENOR label. This is the only real guarantee of quality.

We have a solution for every application. So no reason not to choose for Boralit.

ADVANTAGES:

Boralit is more than 40 producer of polyethylene storage tanks, who have a lot of advantages according to concrete. The underground and above ground fuel tanks are also made in polyethylene from the highest quality

The underground fuel tanks of Boralit have a **high stiffness** and density, so that she can withstand the stored products as well as the underground pressure (thanks to the reinforcement ribs and the welded spill container.

The above ground tanks are very stable en consist of a tank in a **bund**. The bunds' function is to contain the fuel when a leak occurs on the inner tank.

There is also Boralit as first to have the **prestigious Benor label**. A Benor label indicates that a product is conform to a Belgian standard. A **third, independent party**, checks on a periodic basis, our factory production system. This guarantees the quality.

UNDERGROUND SINGLE WALLED FUEL TANKS

CHARACTERISTICS

Each underground fuel tank from Boralit is tested on leak tightness, so that the user can be for 100% sure that he has a tank of high quality and safety.

The tanks are manufactured in polyethylene with a high stiffness and a high density to better withstand the storage of liquids and the forces that occur underground.

The tanks are equipped with all the necessary parts for connection to the heating boiler. The tank is designed for underground installation. They have big reinforcement ribs and a leak tight riser that is also used as a spill container.

In the rise is a watertight connection with internal 50 mm and external 63 mm, so that a leak tight connection with a PVC pressure tube is possible.

The top of the tank is provided with 5 molded-in 2" F connections to assure water tightness. An overfill protection with connections to the heating boiler is installed, as well as a ventilation, green cap and an electronic volume gauge type Tankalert. Each tank is tested under pressure to assure leak tightness.

The underground fuel tanks are available in 2.950 and 4.950 liter.

Designs:

Available in 2.950 and 4.950 liter

Single wall

Completely equipped.

Equipped with a Spill container.

MZPEO2950



Installation in consolidated sand	
Color	Black
Application	Heating
Nominal volume	2.950 liter
Useful volume	2.802 liter
Length	2.390 mm
Width	1.610 mm
Height	2.210 mm
Diameter manhole	600 mm
Weight	180 kg
Price – E01	€ 1.698,90
<small>Dimensions are in mm and informative. Subject to alterations.</small>	

Standaard uitrusting	Vuldop
	Ontluchting
	Ultrasone volumemeting
	Overvulbeveiliging
	Aansluiting voor brander

MZPEO4950

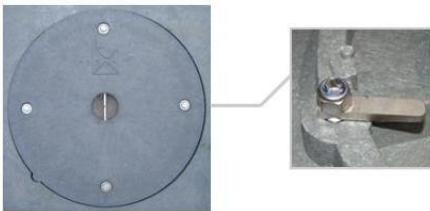


Installation in consolidated sand	
Color	Black
Application	Heating
Nominal volume	4.950 liter
Useful volume	4.700 liter
Length	2.400 mm
Width	2.070 mm
Height	2.670 mm
Diameter manhole	600 mm
Weight	300 kg
Price – E01	€ 2.387,70

Dimensions are in mm and informative. Subject to alterations.

Standard equipment	Fill cap
	Ventilation
	Ultrasonic volume gouge
	Overfill protection
	Connection for burner

OPTIONS



Plastic pedestrian cover Boralit: KDB E

Color	Gray
Length	700 mm
Width	700 mm
Height	145 mm
Diameter opening	590 mm
Weight	20 kg
Price – E02	€ 137,49

Dimensions are in mm and informative. Subject to alterations.

REPLACEMENT PARTS

Part	Price – E02
Fill cap	€ 20,42
Ventilation	€ 16,53
Ultrasonic volume gouge Tankalert	€ 164,34
Overfill protection + connection for burner	€ 140,33

ABOVEGROUND DOUBLE WALLED FUEL TANKS

For heating – Indoor and outdoor

CHARACTERISTICS

The fully equipped fuel tanks

The fuel tanks from Boralit are fully equipped with all the necessary. (An electric overfill protection, a connection for the heating boiler, a filling cap of 2", ventilation and an electronic volume gauge type Bundalert). They are, in addition, available in different volumes: 1.200, 2.500, 3.300 and 4.950 liter – in round and rectangular form.

Double walled fuel tanks

The above ground tanks are very stable en consist of a tank in a bund. The bunds' function is to contain the fuel when a leak occurs on the inner tank.

All the tanks are for heating and equipped with the necessary connections.

They are available in 1.200, 2.500, 3.300 and 4.950 liter.

Designs:

Available in 1.200, 2.500, 3.300 and 4.950 liter.

In rectangular and round.

Tanks in bund (double wall).

Completely equipped.

Certification:

CE: according to EN 13341 2005 +A1 2011

BENOR according to TRA02: 2016/001

Round models.**HPR 1200****BENOR**

Installation above ground indoor and outdoor	
Color	Green
Application	Heating
Benor number	2016/001
Prototype number	CP0114/0790-HCC001
Nominal volume	1.200 liter
Useful volume	1.140 liter
Length	1.360 mm
Width	1.270 mm
Height	1.780 mm
Weight	138 kg
Price – E01	€ 1.250,16
<small>Dimensions are in mm and informative. Subject to alterations.</small>	

Standard equipment	Fill cap
	Ventilation
	Ultrasonic volume gouge
	Leak detection
	Overfill protection
	Connection for burner

HPR 2500**BENOR**

Installation above ground indoor and outdoor	
Color	Green
Application	Heating
Benor number	2016/001
Prototype number	CP1012/0690-HCC001
Nominal volume	2.500 liter
Useful volume	2.375 liter
Length	1.920 mm
Width	1.885 mm
Height	1.920 mm
Weight	208 kg
Price – E01	€ 1.599,81
<small>Dimensions are in mm and informative. Subject to alterations.</small>	

Standard equipment	Fill cap
	Ventilation
	Ultrasonic volume gouge
	Leak detection
	Overfill protection
	Connection for burner

HPR 3300**CE****BENOR**

Installation above ground indoor and outdoor	
Color	Green
Application	Heating
Benor number	2016/001
Prototype number	CP0716/1072-HCC001
Nominal volume	3.300 liter
Useful volume	3.135 liter
Length	1.940 mm
Width	1.850 mm
Height	2.010 mm
Weight	248 kg
Price – E01	€ 1.805,00
<small>Dimensions are in mm and informative. Subject to alterations.</small>	

Standard equipment	Fill cap
	Ventilation
	Ultrasonic volume gouge
	Leak detection
	Overfill protection
	Connection for burner

HPR 4950**CE****BENOR**

Installation above ground indoor and outdoor	
Color	Green
Application	Heating
Benor number	2016/001
Prototype number	CP0716/1073-HCC001
Nominal volume	4.950 liter
Useful volume	4.700 liter
Length	2.400 mm
Width	2.400 mm
Height	2.350 mm
Weight	380 kg
Price – E01	€ 3.104,08
<small>Dimensions are in mm and informative. Subject to alterations.</small>	

Standard equipment	Fill cap
	Ventilation
	Ultrasonic volume gouge
	Leak detection
	Overfill protection
	Connection for burner

Rectangular models.**MZPEB 1200**

Installation above ground indoor and outdoor	
Color	Green
Application	Heating
Benor number	2016/001
Prototype number	CP016/1070-HCC001
Nominal volume	1.200 liter
Useful volume	1.140 liter
Length	2.200 mm
Width	800 mm
Height	1.660 mm
Weight	190 kg
Price – E01	€ 1.423,50
<small>Dimensions are in mm and informative. Subject to alterations.</small>	

Standard equipment	Fill cap
	Ventilation
	Ultrasonic volume gouge
	Leak detection
	Overfill protection
	Connection for burner

MZPEB 2500

Installation above ground indoor and outdoor	
Color	Green
Application	Heating
Benor number	2016/001
Prototype number	CP0716/1071-HCC001
Nominal volume	2.500 liter
Useful volume	2.375 liter
Length	2.390 mm
Width	1.530 mm
Height	1.600 mm
Weight	200 kg
Price – E01	€ 1.642,50
<small>Dimensions are in mm and informative. Subject to alterations.</small>	

Standard equipment	Fill cap
	Ventilation
	Ultrasonic volume gouge
	Leak detection
	Overfill protection
	Connection for burner

MZPEB 3300

**BENOR**

Installation above ground indoor and outdoor	
Color	Green
Application	Heating
Benor number	2016/001
Prototype number	CP0716/1072-HCC001
Nominal volume	3.300 liter
Useful volume	3.135 liter
Length	2.900 mm
Width	1.530 mm
Height	1.600 mm
Weight	265 kg
Price – E01	€ 2.062,50
<small>Dimensions are in mm and informative. Subject to alterations.</small>	

Standard equipment	Fill cap
	Ventilation
	Ultrasonic volume gouge
	Leak detection
	Overfill protection
	Connection for burner

REPLACEMENT PARTS

Part	Price – E02
Fill cap	€ 20,42
Ventilation	€ 16,53
Ultrasonic volume gouge Bundalert	€ 186,70
Overfill protection + connection for burner	€ 140,33

ABOVEGROUND DOUBLE WALLED FUEL TANKS

For distribution: filling of vehicles

CHARACTERISTICS

The fully equipped fuel tanks

The fuel tanks from Boralit are fully equipped with all the necessary. (An electric overfill protection, a filling cap of 2", ventilation, a pump unit with water filter and an electronic volume gauge type Bundalert).

They are, in addition, available in different volumes: 1.200, 2.500, 3.300 and 4.950 liter – in round and rectangular form.

Double walled fuel tanks

The above ground tanks are very stable en consist of a tank in a bund. The bunds' function is to contain the fuel when a leak occurs on the inner tank.

All the tanks are for filling vehicles and equipped with the necessary connections.

The fuel tank is equipped with a pump, 230 V - 370 W single faze with by-pass and water filter. The pump has a thermal safety. The pump has a maximum flow rate of 60 l/min in free flow, and protected with a lockable door. It also has a flexible hose of 6 meter 3/4" for the 1200 to 3300 liter and 1" for the 4950 liter with automatic pistol and rotary fitting.

They are available in 1.200, 2.500, 3.300 and 4.950 liter.

Designs:

Available in 1.200, 2.500, 3.300 and 4.950 liter

In rectangular and round.

Tanks in bund (double wall)

Completely equipped.

Certification

CE: according to EN 13341 2005 +A1 2011

BENOR according to TRA02: 2016/001

Round models.**FPR 1200****BENOR**

Installation above ground indoor and outdoor	
Color	Green
Application	For distribution
Benor number	2016/001
Prototype number	CP0114/0790-HCC001
Nominal volume	1.200 liter
Useful volume	1.140 liter
Length	1.360 mm
Width	1.270 mm
Height	1.780 mm
Weight	138 kg
Price – E01	€ 1.764,30
<small>Dimensions are in mm and informative. Subject to alterations.</small>	

Standard equipment	Fill cap
	Ventilation
	Ultrasonic volume gouge
	Leak detection
	Overfill protection
	Pump with hose and pistol

FPR 2500**BENOR**

Installation above ground indoor and outdoor	
Color	Green
Application	For distribution
Benor number	2016/001
Prototype number	CP1012/0690-HCC001
Nominal volume	2.500 liter
Useful volume	2.375 liter
Length	1.920 mm
Width	1.885 mm
Height	1.920 mm
Weight	208 kg
Price – E01	€ 2.113,95
<small>Dimensions are in mm and informative. Subject to alterations.</small>	

Standard equipment	Fill cap
	Ventilation
	Ultrasonic volume gouge
	Leak detection
	Overfill protection
	Pump with hose and pistol

FPR 3300



BENOR

Installation above ground indoor and outdoor	
Color	Green
Application	For distribution
Benor number	2016/001
Prototype number	CP0716/1072-HCC001
Nominal volume	3.300 liter
Useful volume	3.135 liter
Length	1.940 mm
Width	1.850 mm
Height	2.010 mm
Weight	248 kg
Price – E01	€ 2.710,00

Dimensions are in mm and informative. Subject to alterations.

Standard equipment	Fill cap
	Ventilation
	Ultrasonic volume gouge
	Leak detection
	Overfill protection
	Pump with hose and pistol

FPR 4950



BENOR

Installation above ground indoor and outdoor	
Color	Green
Application	For distribution
Benor number	2016/001
Prototype number	CP0716/1073-HCC001
Nominal volume	4.950 liter
Useful volume	4.700 liter
Length	2.400 mm
Width	2.400 mm
Height	2.350 mm
Weight	380 kg
Price – E01	€ 3.793,95

Dimensions are in mm and informative. Subject to alterations.

Standard equipment	Fill cap
	Ventilation
	Ultrasonic volume gouge
	Leak detection
	Overfill protection
	Pump with hose and pistol

Rectangular models.**MZFM 1200****BENOR**

Installation above ground indoor and outdoor	
Color	Green
Application	For distribution
Benor number	2016/001
Prototype number	CP016/1070-HCC001
Nominal volume	1.200 liter
Useful volume	1.140 liter
Length	2.200 mm
Width	800 mm
Height	1.950 mm
Weight	200 kg
Price – E01	€ 1.952,25
<small>Dimensions are in mm and informative. Subject to alterations.</small>	

Standard equipment	Fill cap
	Ventilation
	Ultrasonic volume gouge
	Leak detection
	Overfill protection
	Pump with hose and pistol

MZFM 2500**BENOR**

Installation above ground indoor and outdoor	
Color	Green
Application	For distribution
Benor number	2016/001
Prototype number	CP0716/1071-HCC001
Nominal volume	2.500 liter
Useful volume	2.375 liter
Length	2.390 mm
Width	1.530 mm
Height	1.810 mm
Weight	230 kg
Price – E01	€ 2.346,00
<small>Dimensions are in mm and informative. Subject to alterations.</small>	

Standard equipment	Fill cap
	Ventilation
	Ultrasonic volume gouge
	Leak detection
	Overfill protection
	Pump with hose and pistol

MZFM 3300

**BENOR**

Installation above ground indoor and outdoor	
Color	Green
Application	For distribution
Benor number	2016/001
Prototype number	CP0716/1072-HCC001
Nominal volume	3.300 liter
Useful volume	3.135 liter
Length	2.900 mm
Width	1.530 mm
Height	1.810 mm
Weight	295 kg
Price – E01	€ 3.251,10

Dimensions are in mm and informative. Subject to alterations.

Standard equipment	Fill cap
	Ventilation
	Ultrasonic volume gouge
	Leak detection
	Overfill protection
	Pump with hose and pistol

OPTIONS

Part	Price – E02
Lock + key for MZFM	€ 56,40
Lock + key for HPR en FPR	€ 66,12
Pump with registration Cube 70MC 50 users	€ 1.979,88
Extra badges (10) for Cube	€ 173,88
Hose of 10 m iso 6 m (only for FPR)	€ 104,54
Feet for Cube 70	€ 197,72
Badge registration kit 10 users	€ 695,52
PC interface	€ 695,52
Manager key	€ 80,64

REPLACEMENT PARTS

Part	Price – E02
Fill cap	€ 20,42
Ventilation	€ 16,53
Ultrasonic volume gouge Bundalert	€ 186,70
Overfill protection	€ 40,52
Pump 60 l/m for 1200-2500-3300 L	€ 613,96
Pump 60 l/m for 4950 L	€ 640,92
Pump 100 l/m for 4950 L	€ 1.029,00
Water filter	€ 66,12
Hose 6 m ¾" for 1200 to 3300 liter	€ 75,36
Hose 6 m 1" for 4950 liter	€ 75,36
Pistol 60 l/m	€ 89,46

ABOVEGROUND DOUBLE WALLED STORAGE TANK

For the storage of oil.

CHARACTERISTICS

The above ground tanks are very stable en consist of a tank in a bund. The bunds' function is to contain the fuel when a leak occurs on the inner tank.

All the tanks are for storage of used oil and equipped with the necessary connections.

There is a removable funnel installed underneath the cover.

They are available in 1.200, 2.500 and 3.300 liter. They are equipped with a leak detection type full alert, a suction tube of 1" and an electronic volume gouge.

Designs:

Available in 1.200, 2.500 and 3.300 liter
Tanks in bund (double wall)
Completely equipped.

Certification:

BENOR according to TRA02: 2016/001

Rectangular models.

OPPEB 1200



Installation above ground indoor and outdoor	
Color	Green
Application	Storage of oil
Benor number	2016/001
Prototype number	CP1115/1040-HCC001
Nominal volume	1.200 liter
Useful volume	1.140 liter
Length	2.200 mm
Width	800 mm
Height	1.660 mm
Weight	190 kg
Price – E01	€ 1.398,90
<small>Dimensions are in mm and informative. Subject to alterations.</small>	

Standard equipment	Funnel
	Ventilation
	Ultrasonic volume gouge
	Leak detection
	Suction tube

OPPEB 2500

**BENOR**

Installation above ground indoor and outdoor	
Color	Green
Application	Storage of oil
Benor number	2016/001
Prototype number	CP1115/1040-HCC001
Nominal volume	2.500 liter
Useful volume	2.375 liter
Length	2.390 mm
Width	1.530 mm
Height	1.600 mm
Weight	200 kg
Price – E01	€ 1.948,05
<small>Dimensions are in mm and informative. Subject to alterations.</small>	

Standard equipment	Funnel
	Ventilation
	Ultrasonic volume gouge
	Leak detection
	Suction tube

OPPEB 3300

**BENOR**

Installation above ground indoor and outdoor	
Color	Green
Application	Storage of oil
Benor number	2016/001
Prototype number	CP1115/1040-HCC001
Nominal volume	3.300 liter
Useful volume	3.135 liter
Length	2.900 mm
Width	1.530 mm
Height	1.600 mm
Weight	265 kg
Price – E01	€ 2.478,30
<small>Dimensions are in mm and informative. Subject to alterations.</small>	

Standard equipment	Funnel
	Ventilation
	Ultrasonic volume gouge
	Leak detection
	Suction tube

REPLACEMENT PARTS

Part	Price – E02
Funnel	€ 177,95
Ventilation	€ 16,53
Ultrasonic volume gouge Fullalert	€ 211,98

ABOVEGROUND DOUBLE WALLED AdBlue TANK

For the storage of AdBlue

CHARACTERISTICS

The fully equipped fuel tanks

The fuel tanks from Boralit are fully equipped with all the necessary. (An electric overfill protection, a filling cap of 2", ventilation, a pump unit with water filter and an electronic volume gouge type Bundalert). They are, in addition, available in 1.200, 2.500 and 3.300 liters.

Double walled AdBlue tank

The above ground tanks are very stable en consist of a tank in a bund. The bunds' function is to contain the fuel when a leak occurs on the inner tank.

The tank is standard equipped with the necessary connections, an overfill device, A connection of 2" for filling, a ventilation, a pump with automatic pistol and hose of 4 meter. They are available in 1.200, 2.500 and 3.300 liters.

Designs:

Available in 1.200, 2.500 and 3.300 liter.
Tank in bund (double wall).
Completely equipped.

Round models.

ADB 1200



Installation above ground indoor	
Color	Green
Application	AdBlue
Nominal volume	1.200 liter
Useful volume	1.140 liter
Length	1.360 mm
Width	1.270 mm
Height	1.780 mm
Weight	138 kg
Price – E01	€ 3.680,00
<small>Dimensions are in mm and informative. Subject to alterations.</small>	

Standard equipment	Fill cap
	Ventilation
	Ultrasonic volume gouge
	Leak detection
	Overfill protection
Pump with hose and pistol	

ADB 2500



Installation above ground indoor	
Color	Green
Application	AdBlue
Nominal volume	2.500 liter
Useful volume	2.375 liter
Length	1.920 mm
Width	1.885 mm
Height	1.920 mm
Weight	208 kg
Price – E01	€ 3.990,00

Dimensions are in mm and informative. Subject to alterations.

Standard equipment	Fill cap
	Ventilation
	Ultrasonic volume gouge
	Leak detection
	Overfill protection
	Pump with hose and pistol

ADB 3300



Installation above ground indoor	
Color	Green
Application	AdBlue
Nominal volume	3.300 liter
Useful volume	3.135 liter
Length	1.940 mm
Width	1.850 mm
Height	2.010 mm
Weight	248 kg
Price – E01	€ 4.120,00

Dimensions are in mm and informative. Subject to alterations.

Standard equipment	Fill cap
	Ventilation
	Ultrasonic volume gouge
	Leak detection
	Overfill protection
	Pump with hose and pistol

REPLACEMENT PARTS

Part	Price – E02
Fill cap	€ 19,41
Ventilation	€ 402,22
Volume gouge	€ 598,50
Overfill protection	€ 295,00
Pump with hose and pistol	€ 1.150,00

OPTIONS

Part	Price – E02
Leak tight fill cap	€ 657,30
Pistol with digital counter	€ 680,40
Hose 6 m iso 4 m	€ 31,50

ABOVEGROUND SINGLE WALLED MOBILE TANK

Mobile tank

CHARACTERISTICS

The Fieldmaster is a mobile fuel tank of 420 liters. This tank is the perfect solution to stock or transport fuel. It is a practical and flexible system and makes it possible to transport and deliver fuel at any chosen location.

The Fieldmaster is often used to supply heavy vehicles (tractors, excavators, mowers,... etc). This tank can be transported by various vehicles.

The Fieldmaster is a single-walled tank (polyethylene), with pump (without counter), with a flow rate of 38 l/min in free flow and a hose of 6 m with automatic pistol and return. The tank can be closed (blue cover and lock).

Designs:

Available in 400 liter.

Single wall.

Completely equipped.

As an option, lifting yes and protective cage are available.

FIELDMASTER



Installation above ground indoor and outdoor	
Color	Green/blue
Application	Mobile tank
Volume	400 liter
Length	900 mm
Width	1.200 mm
Height	900 mm
Weight	53 kg
Price – E01	€ 1.086,75
<small>Dimensions are in mm and informative. Subject to alterations.</small>	

Standard equipment	Fill cap
	Ventilation
	Analogue volume gouge
	Pump with hose and pistol 12V

REPLACEMENT PARTS

Part	Price – E02
Fill cap	€ 19,41
Ventilation	€ 61,95
Analogue volume gouge	€ 103,46
Pump with hose and pistol 12/24 V – 38 l/m	€ 422,12

OPTIONS

Part	Price – E02
Lifting eyes (4)	€ 78,72
Protection cage	€ 445,00
Pump with hose and pistol 12/24 V – 38 l/m + counter	€ 616,95
Pump with hose and pistol 12/24 V – 65 l/m	€ 805,28
Pump with hose and pistol 12/24 V – 65 l/m + counter	€ 1.000,00
Pump with hose and pistol 12 AND 24 V - 45 - 35 l/m	€ 690,00
Pump with hose and pistol 220 V - 38 l/m	€ 402,02

INSTALLATION PROCEDURES, MAINTENANCE AND WARRANTY

UNDERGROUND SINGLE WALLED FUEL TANKS

The client acknowledges to have received a copy of this and agrees.
The installation requirements should be read **FIRST BEFOR** placement.

In the event of loss by the customer of the installation requirements the customer must always ask for a new copy of the installation requirements at Boralit nv, or download them from the Boralit Web site.

STORAGE AND TRANSPORT

Every tank is tested in our warehouse to its liquid-density with a pressure of 0.1 bars. Before installing the tank it has to be checked for any damage from transportation or manipulation at the yard. Do not put the tanks on sharp objects such as e.g. gravel. Always treat the tanks carefully (especially in case of frost). Avoid jolts or shocks.

INSTALLATION PROCEDURES IN CONSOLIDATED SAND

A recognized contractor or in the presence of a recognized tank-technician should do the installation.
PUT THE TANK IN CONSOLIDATED SAND! See to it that the manhole is higher than the ground level.

It is advisable to install the tank as closely as possible to the burner. Prepare a pit that is at least:

- 15 à 20 cm broader than the tank
- 15 à 20 cm deeper than the tank

See to it that all ground or rainwater that might be present in the pit is pumped out before installing the tank. Cover the bottom of the pit with at least 15 cm of consolidated sand of about 150kg/m³. Put the tank at builder's level in the pit; this way the cover will be level. Backfill the pit round the facility with at least 15 cm of consolidated sand of about 150kg/m³. Put at least 15 cm of consolidated sand of about 150kg/m³ on top of the facility. Always introduce small amounts of stabilised sand, slightly press the sand (also below the tank and between the ribs) to prevent distortion of the facility. Fill the tank with fuel oil as soon as possible to avoid to drive up. **ATTENTION:** Do not adjust the height of the top-shaft! What's more, the top-shaft is provided with a special transit part (inner diameter

50mm / outer diameter 63 mm) on which you can connect (using special glue) a 50 or 63 mm PVC tube. This ensures liquid-tight passage of the burner's tubes into the tank.

In case any vehicles might drive in the immediate surroundings of the facility, a sufficiently strong concrete slab must be installed. The concrete slab should not rest on the tank and should divert the pressure to the ground that has not been churned up.

Install the PE-risers, which can be obtained from Boralit, on the facility until ground level is reached, and put the waterproof cover on to prevent any water getting into the leakage box. The facility must remain easily accessible for inspection and cleaning.

The PE covers are only temporarily. They do not have a safety lock and can not stand the weight of persons or vehicles who might pass by. Make sure you get Boralit covers, to increase the security of persons or vehicles who cross the installation.

BE CAREFUL

The tanks shouldn't be tested at negative pressure! The test can be done by a pressure test, where the pressure should remain below 0.3 bar for a maximum of 5 minutes. The filling speed shouldn't exceed 600l/min. The facility is provided with an electronic overfill sensor. You shouldn't use a whistle. The ventilations shouldn't be smaller than 2" and not higher than 500 mm.

Make sure the burner's tubes are connected watertight to the special connection piece installed on the tank.

PROTOTYPE STANDARD CP0114/0820-HCC001.

These tanks are made for storage of P3 and P4 products only! The following products are allowed: diesel, fuel with a maximum of 20% of petroleum, biodiesel with 5,75% of coal seed oil! Petroleum, gasoline, kerosene, ethanol, ... CANNOT BE STORED IN THE TANKS!

Provide a watertight connection for the alimentation.

ABOVEGROUND DOUBLE WALLED FUEL TANKS for heating indoor and outdoor

The client acknowledges to have received a copy of this and agrees.

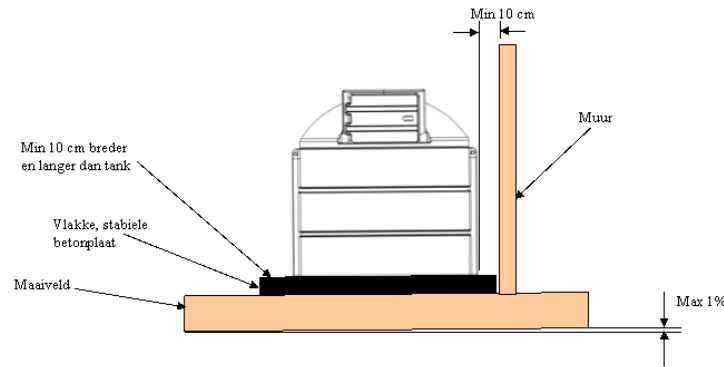
The installation requirements should be read FIRST BEFOR placement.

In the event of loss by the customer of the installation requirements the customer must always ask for a new copy of the installation requirements at Boralit nv, or download them from the Boralit Web site.

TO OBTAIN YOUR CERTIFICATE, IT IS MANDATORY TO FILL OUT THE DOCUMENT, YOU RECEIVED ALONG WITH THE INSTALLATION, AND SEND IT BACK BY POST.

STORAGE AND TRANSPORT

Install the tank on a stable, flat and horizontal concrete plate (maximum angle of 1% allowed). Make sure this surface is at least 10 cm longer and wider than the tank itself. Never put tanks on sharp objects such as e.g. gravel. Never install the tank close to a heat source (the tanks are fire class F). Make sure there is a distance of at least 10 cm between the tank and any wall that should be in the proximity of the tank. The installation is designed for ambient temperatures of -5 °C and +25 °C, a maximum snow load of 120 kg/m² and wind load of 26 m/s. Take proper measurements if the installation is exposed to other circumstances. Always treat the tank carefully. Avoid jolts or shocks. The tanks are UV-stabilised so they can be installed outdoors: the tanks are protected to the damaging UV rays (max. 10 years in direct sun rays). If you place your tank under a shelter, the polyethylene will not suffer embrittlement, increasing the life span of your tank.



BE CAREFUL

The tanks shouldn't be tested at negative pressure! The test can be done by a pressure test, where the pressure should remain below 0.3 bar for a maximum of 5 minutes. The filling speed shouldn't be above 600l/min. The facility is provided with an electronic overfill sensor. You shouldn't use a whistle. The ventilations shouldn't be smaller than 2" and not higher than 500 mm.

These tanks are made for storage of products with a flashpoint higher than 55 °C (allowed liquids: diesel fuel, heating oil with maximum 20% petroleum, oils and lubricants with a density lower than 1.000 kg/m³)! Petroleum, gasoline, kerosene, ethanol, ... CANNOT BE STORED IN THE TANKS!

The bund is tested to withstand 500 hours with liquids. It is therefore of major importance to take measures if this occur.

ABOVEGROUND DOUBLE WALLED FUEL TANKS for filling vehicles

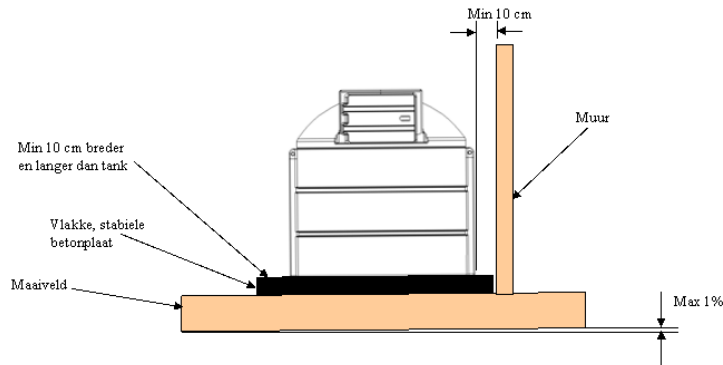
**The client acknowledges to have received a copy of this and agrees.
The installation requirements should be read FIRST BEFOR placement.**

In the event of loss by the customer of the installation requirements the customer must always ask for a new copy of the installation requirements at Boralit nv, or download them from the Boralit Web site.

TO OBTAIN YOUR CERTIFICATE, IT IS MANDATORY TO FILL OUT THE DOCUMENT, YOU RECEIVED ALONG WITH THE INSTALLATION, AND SEND IT BACK BY POST.

STORAGE AND TRANSPORT

Install the tank on a stable, flat and horizontal concrete plate (maximum angle of 1% allowed). Make sure this surface is at least 10 cm longer and wider than the tank itself. Never put tanks on sharp objects such as e.g. gravel. Never install the tank close to a heat source (the tanks are fire class F). Make sure there is a distance of at least 10 cm between the tank and any wall that should be in the proximity of the tank. The installation is designed for ambient temperatures of -5 °C and +25 °C, a maximum snow load of 120 kg/m² and wind load of 26 m/s. Take proper measurements if the installation is exposed to other circumstances. Always treat the tank carefully. Avoid jolts or shocks. The tanks are UV-stabilised so they can be installed outdoors: the tanks are protected to the damaging UV rays (max. 10 years in direct sun rays). If you place your tank under a shelter, the polyethylene will not suffer embrittlement, increasing the life span of your tank.



BE CAREFUL

The tanks shouldn't be tested at negative pressure! The test can be done by a pressure test, where the pressure should remain below 0.3 bar for a maximum of 5 minutes. The filling speed shouldn't be above 600l/min. The facility is provided with an electronic overfill sensor. You shouldn't use a whistle. The ventilations shouldn't be smaller than 2" and not higher than 500 mm.

The pumps of the MZFM models should not work longer than 1 minute in by-pass. This to prevent damage to the joint between the pump housing and the engine of the pump, which could cause a leakage.

The standard pumps installed on the MZFM models have a flow rate of 60 litres per minute free outlet. The flow rate can vary depending on factors such as the length of the flexible, the viscosity of the liquid to be pumped (diesel, biodiesel with a maximum of 5,75% of coal seed oil, ...) Please contact our commercial department in case you want more information on our range of pumps or on special pumps for coal seed oil. Our pumps are no commercial pumps. There can be an actual deviation of 5 %. When pumping to fill the tank the actual deviation can rise till 30 %.

These tanks are made for storage with a flashpoint higher than 55 °C (allowed liquids: diesel fuel, heating oil with maximum 20% petroleum, oils and lubricants with a density lower than 1.000 kg/m³)! Petroleum, gasoline, kerosene, ethanol, ... CANNOT BE STORED IN THE TANKS!

The bund is tested to withstand 500 hours with liquids. It is therefore of major importance to take measures if this occur.

ABOVEGROUND DOUBLE WALLED STORAGE TANK

For the storage of oil

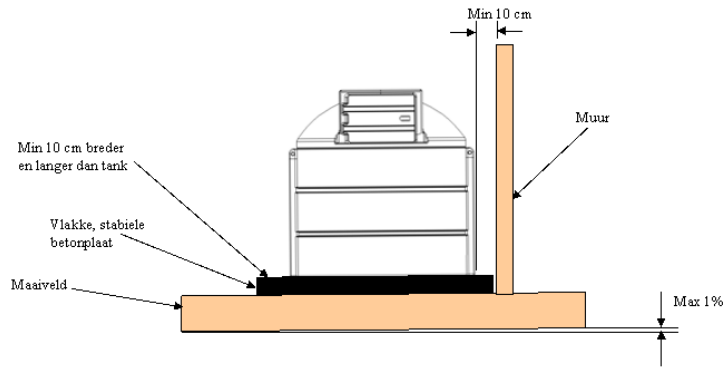
The client acknowledges to have received a copy of this and agrees.

The installation requirements should be read FIRST BEFOR placement.

In the event of loss by the customer of the installation requirements the customer must always ask for a new copy of the installation requirements at Boralit nv, or download them from the Boralit Web site.

STORAGE AND TRANSPORT

Install the tank on a stable, flat and horizontal concrete plate (maximum angle of 1% allowed). Make sure this surface is at least 10 cm longer and wider than the tank itself. Never put tanks on sharp objects such as e.g. gravel. Never install the tank close to a heat source (the tanks are fire class F). Make sure there is a distance of at least 10 cm between the tank and any wall that should be in the proximity of the tank. Always treat the tank carefully. The installation is designed for ambient temperatures of -5 °C and +25 °C, a maximum snow load of 120 kg/m² and wind load of 26 m/s. Take proper measurements if the installation is exposed to other circumstances. Avoid jolts or shocks. The tanks are UV-stabilised so they can be installed outdoors: the tanks are protected to the damaging UV rays (max. 10 years in direct sun rays). If you place your tank under a shelter... the polyethylene will not suffer embrittlement, increasing the life span of your tank. PROTOTYPESTANDARD CP09/0120-HCC001, CP06/0670-HCC001 and CP06/0671-HCC001.



BE CAREFUL

The tanks shouldn't be tested at negative pressure! The test can be done by a pressure test, where the pressure should remain below 0.3 bar for a maximum of 5 minutes. The filling speed shouldn't be above 600l/min. The facility is provided with an electronic overfill sensor. You shouldn't use a whistle. The ventilations shouldn't be smaller than 2". These tanks are for storage with a flashpoint higher than 55 °C (allowed liquids: diesel fuel, heating oil with maximum 20% petroleum, oils and lubricants with a density lower than 1.000 kg/m³)! Petroleum, gasoline, kerosene, ethanol, ... **CAN'T BE STORED IN THE TANKS!**

The bund is tested to withstand 500 hours with liquids. It is therefore of major importance to take measures if this occur.

ABOVEGROUND DOUBLE WALLED AdBlue TANK

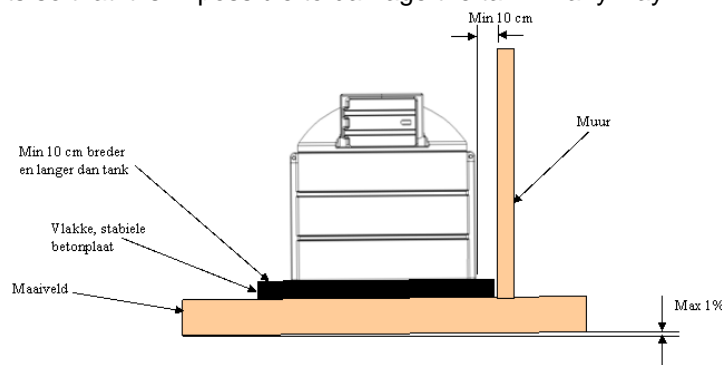
For the storage of AdBlue

Transport

The installation should be manipulated with a fork lift. Please note that he can not tilt
The installation should not be manipulated if there is liquid in it.
If there is no fork lift, the installation may be manipulated by people.
Treat the tank carefully (especially in case of frost).
Avoid shocks or knocks.

Installation

Install the tank inside, on a constant temperature between -10 and +30 °C
Install the tank on a horizontal (max. 1% slope), flat and stable liquid-tight concrete plate.
Be sure the surface is at least 10 cm longer and wider than the tank.
Do not install the tank on Sharp items.
Do not install the tank in de neighbourhood is a heating source.
Provide enough space between the tank and the wall so it is possible to remove the hood.
Be sure the space is good ventilated. There may be a release of fumes (carbon monoxide, carbon dioxide, nitrogen, ammonia)
Take enough measurements so that it is impossible to damage the tank in any way.



ABOVEGROUND SINGLE WALLED MOBILE TANK

The client acknowledges to have received a copy of this and agrees.
The installation requirements should be read FIRST BEFOR placement.

In the event of loss by the customer of the installation requirements the customer must always ask for a new copy of the installation requirements at Boralit nv, or download them from the Boralit Web site.

STORAGE AND TRANSPORT

Advice: Do not place the Fieldmaster on top of sharp objects like ex: little rocks (gravel).
Try to avoid heating sources. The Fieldmaster = Fire class F. It is important to avoid little shocks as well. The tanks are UV stabilised, which makes it possible to place them outside.

WARRANTY

These devices have a warranty up to 10 years for every demonstrable mistake during fabrication, if all guidelines of placement have been applied correctly. If you are able to put your tank in the shadow (underneath a little roof or plants,...) the polyethylene will remain flexible and strong for a long period of time. All electric and mechanic parts have a warranty of 2 years.

The general sales and warranty conditions of Boralit count.

OTHER DOCUMENTS

These documents are also available:

- Range fuel tanks
- Data sheet Fieldmaster
- Data sheet fiche AdBlue
- Manual MZPEO
- Manual HPR
- Manual MZPEB
- Manual FPR
- Manual MZFM
- Manual OPPEB
- Manual Fieldmaster
- Manual AdBlue
- CE certificates
- Benor certificate
- DOP's.